

“ONE OF THE MOST EXCITING AND SOPHISTICATED CENTRES FOR MARITIME EDUCATION IN EUROPE WITH SPECIALIST EQUIPMENT AND SIMULATION FACILITIES THAT ARE TRULY TOP CLASS.”

Mary Harney, Minister for Education and Science.

**Architects:** BDP

**Quantity Surveyor:** Nolan Ryan Partnership

**Main Contractor:** Pierse Contracting

**Services Engineer:** BDP Architects

**Structural Engineer:** BDP Architects

**Landscape:** BDP Architects

# The National Maritime College

The €52m National Maritime College (NMC) in Ringaskiddy, Co. Cork is a national and international centre of excellence for the education and training in merchant marine and naval services studies for Irish and overseas students.

It is the first third level Public Private Partnership (PPP) to be completed and operating in Ireland. The design of the 14,000 square metre facility, built on a 10 acre waterside campus, arranges the building in three distinct wings linked by a lateral three story circulation route.

The minister for Education and Science has described the facility “as one of the most exciting and sophisticated centres for maritime education in Europe with specialist equipment and simulation facilities that are truly top class”.

Allied Workspace used a full range of demountable partitions to complete the million plus fit out. Partitioning was used throughout the entire facility including offices, libraries, classrooms, training rooms, simulation rooms, technical labs, cafeteria and public areas.



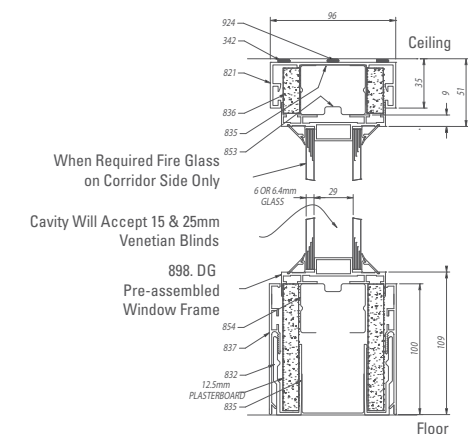


Room ventilation was achieved using overhead, manually operated louvred glazed panels to all corridors. Acoustics were high priority throughout the facility and had to achieve up to 52dB.

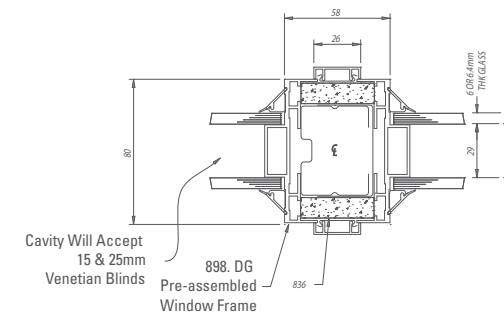
Specialist simulators, some of which contained full ship mission bridge simulators required fire protection up to 30/30 on the glazed screens.

Dividing walls between classrooms not only had to provide high acoustics but also had to be structurally enhanced to take the additional imposed loads, associated with the mounting of TV's, monitors and writing boards ■

### FULL HEIGHT DOUBLE GLAZED MODULE VERTICAL SECTION



### DOUBLE GLAZED MODULE



### DOOR MODULE HORIZONTAL SECTION

